

DATA SHEET No. 067-1
Vacuflush 5000 Series & Cassette
Vacuum Toilet System



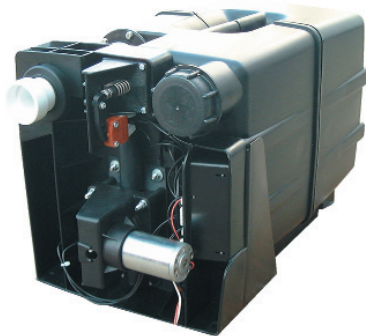
Vacuflush
5000 Series
Toilet

- 504701 Tall base, right discharge
- 504801 Tall base, rear discharge
- 504901 Tall base, left discharge

Vacuum Pump
& "Carry off"
Cassette Module

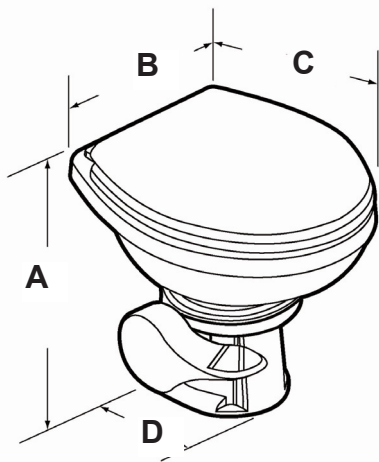
CVT Vacuum Cassette
Assembly 12v

Spare Cassette Part No:
311126



- A unique Vacuum Toilet System with a "Carry Off" Tank
- A New addition to the renowned Dometic Sealand "VacuFlush" Systems
- Advanced Vacuum Technology, simple, efficient and very hygienic
- Requires a pressurised water supply & 12v electrical supply
- Runs on 12 VDC power (pump needs 1.2 Amp for 60-70 seconds after flushing)
- No more unpleasant odours, environmentally friendly - no chemicals
- Very flexible installation, so minimum space is required in the bathroom
- Space saving design toilet, fits on a small footprint 16.5 inch seat height is ideal for platform installations.

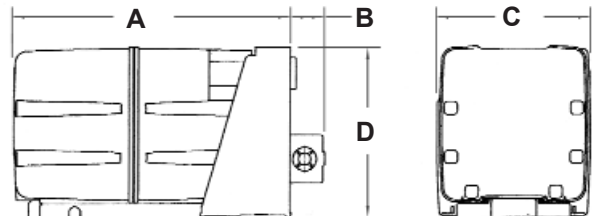
Vacuflush 5000 Vacuum Toilet



Vacuflush 5000 Vacuum Toilet Dims

| | | | | | |
|---|---------|-------|---|---------|-------|
| A | 17 3/8" | 441mm | B | 14 7/8" | 378mm |
| C | 18 3/8" | 467mm | D | 13 1/4" | 337mm |

Vacuum Cassette
& Pump Assembly



Vacuum Cassette & Pump Assembly Dims

| | | | |
|---|-------|---|-------|
| A | 487mm | B | 61mm |
| C | 269mm | D | 302mm |

Vacuum Cassette Toilet Systems

- 1 x 5000 Series Toilet
- 1 x CVT Vacuum Cassette Assembly 12v
- 4 x 1 1/2 Jubilee Clips
- 3 metres of Leeflex Sanitation Hose

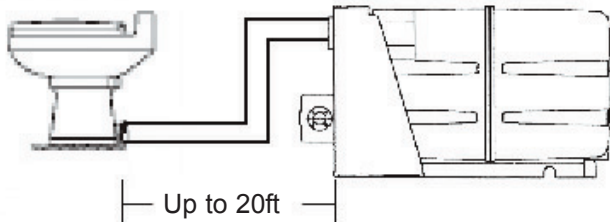
Part No:

Toilet Discharge Left: **02755**

Toilet Discharge Rear: **02754**

Toilet Discharge Right: **02753**

(Discharge direction when facing the toilet)



Lee Sanitation Ltd.
 Wharf Road, Fenny Compton
 Warwickshire CV47 2FE England

Tel: Int.+44 (0)1295 770000
 Fax: Int.+44 (0)1295 770022

E-Mail: sales@leesan.com
 Web Site: www.leesan.com

